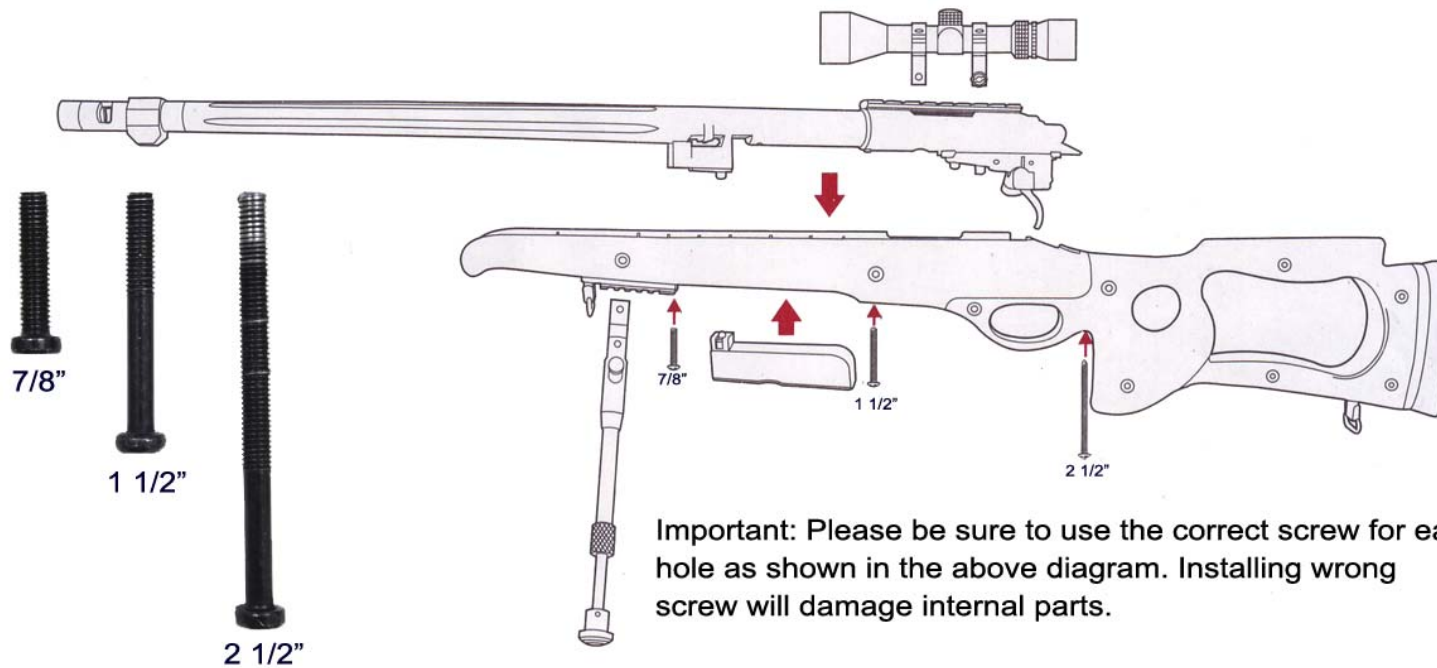


# MB10 & MB12 Assembly



Important: Please be sure to use the correct screw for each hole as shown in the above diagram. Installing wrong screw will damage internal parts.

**Warning!**

**improper installation will result in permanent damage to the gun, and it will automatically void your warranty.**